

SET UP SHEET

ECLIPSE 5

WORLD CLASS 1/12TH PRO LMP CHASSIS

Driver: **Michal Orłowski** Track: **Embassy Suites** Event: **US Indoor Champs**

Date: **08-10/04/2022** Qualifying: Final: **4th** Best Lap:

TRACK TYPE

Grip Level High Medium Low

Type Tight Open Mixed

Condition Flat Bumpy Mixed

Carpet Type **CRC Black**

Track Temp °C

Weather

Notes:

TYRES

Side Wall Glue F: Y N

Tyres Front: **30Sh** Rear: **30Sh**

Diameter Front: **39.5** mm Rear: **39.7** mm

Additive **Sxt 3.0** Coverage Front: **14mm**

Additive On Time Total time before the race starts Front: **9 mins** Rear: **30 mins**

Additive Off Time Total time the tyre is dry before the race Front: **7 mins** Rear: **8 mins**

Tyre Age Runs: **0** Time Between Runs **N/A**

Notes:

FRONT

KEY: CF = Carbon Fibre, AL = Aluminium, P = Plastic, F = Front, R = Rear
H = High, L = Low, Y = Yes, N = No, V = Vertical, H = Horizontal

Ride Height **3.0** mm

Droop **0.75** mm

Toe Out **1.0** deg St Links **15.6** mm

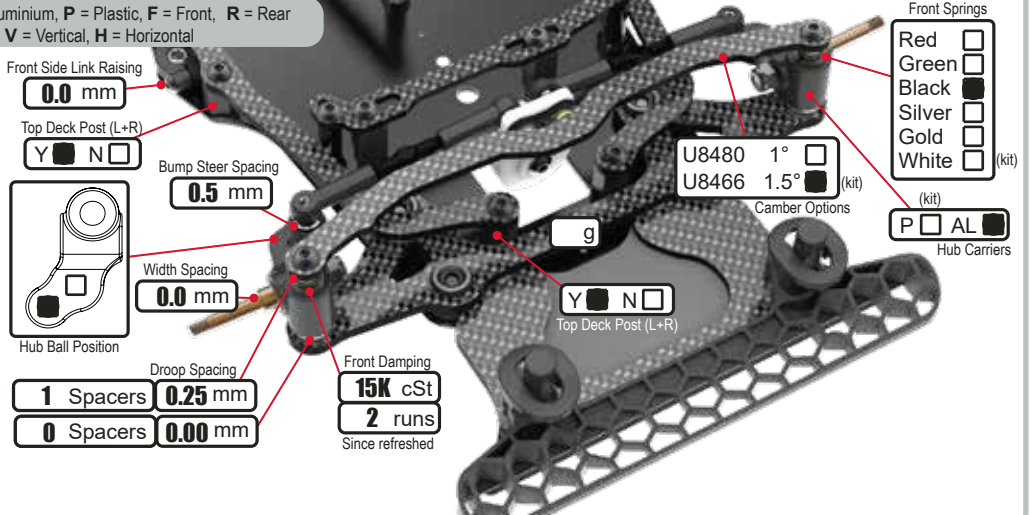
Servo Saver Type **Kimbroough 25T**

Steering Travel **30** in out

Castor (+Ride Height Set) **3** deg

1.00 mm Rear (Total Spacing) 2.00 mm Front

Notes:



REAR

KEY: CF = Carbon Fibre, AL = Aluminium, P = Plastic, F = Front, R = Rear
H = High, L = Low, Y = Yes, N = No, V = Vertical, H = Horizontal

Ride Height **3.6** mm

Droop **1.0** mm

Track width (total) **172** mm

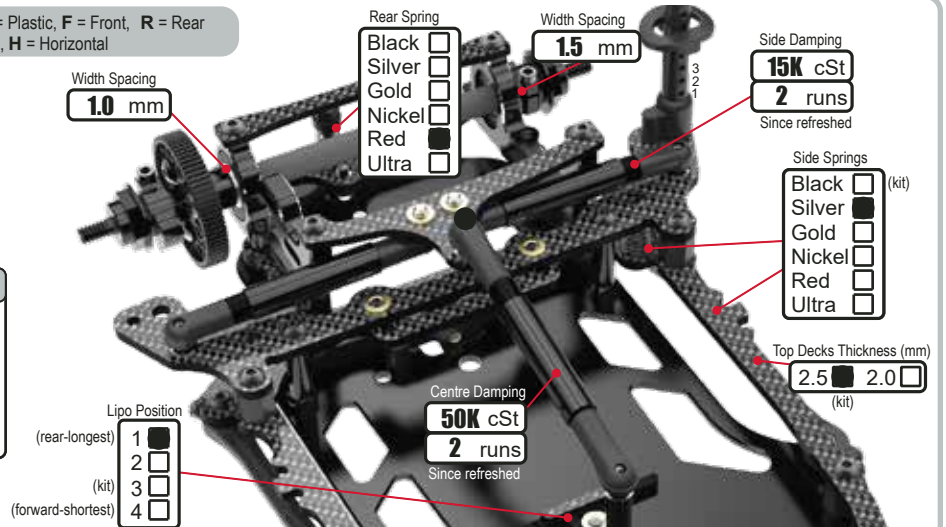
Drive Type Diff Spool Hex

Diff Preload (if applicable)

Eccentric Height **0.50**

Pod Angle **3.2** mm
Kit = 4.2mm

Notes:



BODYSHELL

Body **Montech M20 LW**

Rear Wing Height **81** mm

Front Height **5** mm

Front Post Hole # **N/A**

Front Post Hanger # **N/A**

Rear Post Hole # **6**

Rear Post Hanger # **1**

Body F/R Offset **0** mm

Body Weight **30** g

Foam Pads (U2840) F R

Notes:

CHASSIS

Chassis AL CF

Centre Pivot AL

Spacing **F1.0 R2.0**mm

Total Weight **732** g

Weight Distribution
F : R

Motor Spacer **0** mm

Motor Fan

Notes:

ELECTRONICS

E.S.C. **Hobbywing XR10 1S**

Servo **Sanwa PGS-HR**

RX **Sanwa**

LiPo **LRP Graphene 4 8100**

Motor **Hobbywing G3 3.5t**

Rotor Dia. **Std** mm

Timing **30** deg

Gear Pitch **48** **64**

Pinion **23** t

Spur **88** t

Rollout **32.60** mm/rev

Notes: