

NOTICE

All instructions, warranties and other collateral documents are subject to change at the sole discretion of Horizon Hobby, LLC. For up-to-date product literature, visit horizonhobby.com or towerhobbies.com and click on the support or resources tab for this product.

Meaning of Special Language

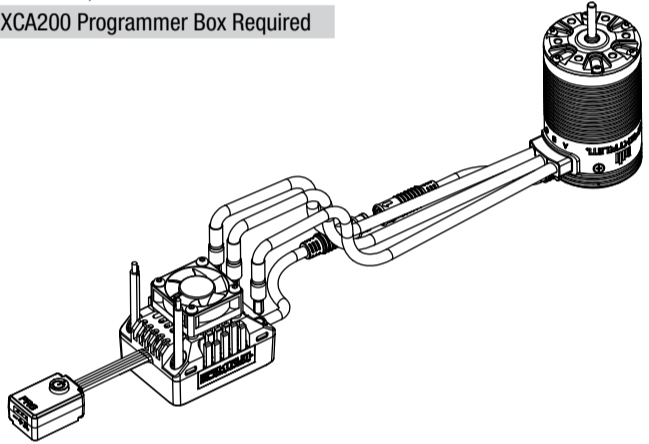
The following terms are used throughout the product literature to indicate various levels of potential harm when operating this product:
WARNING: Procedures, which if not properly followed, create the probability of property damage, collateral damage, and serious injury OR create a high probability of superficial injury.
CAUTION: Procedures, which if not properly followed, create the probability of physical property damage AND a possibility of serious injury.
NOTICE: Procedures, which if not properly followed, create a possibility of physical property damage AND a little or no possibility of injury.

WARNING: Read the ENTIRE instruction manual to become familiar with the features of the product before operating. Failure to operate the product correctly can result in damage to the product, personal property and cause serious injury. This is a sophisticated hobby product. It must be operated with caution and common sense and requires some basic mechanical ability. Failure to operate this Product in a safe and responsible manner could result in injury or damage to the product or other property. This product is not intended for use by children without direct adult supervision. Do not attempt disassembly, use with incompatible components or augment product in any way without the approval of Horizon Hobby, LLC. This manual contains instructions for safety, operation and maintenance. It is essential to read and follow all the instructions and warnings in the manual, prior to assembly, setup or use, in order to operate correctly and avoid damage or serious injury.

Age Recommendation: Not for children under 14 years. This is not a toy.

NOTICE: This product is only intended for use with unmanned, hobby-grade, remote-controlled vehicles and aircraft. Horizon Hobby disclaims all liability outside of the intended purpose and will not provide warranty service related thereto.

ESC Specifications SPMXSE1060		Motor Specifications SPMXSM3001	
Cont./Peak Current	60A/360A	Motor Size Category	3658
Motor Type	Only Spektrum Sensorless Motors	RPM/Volt	2100Kv
Applications	1/10th Rock Crawler	ESC Type	Only Spektrum Sensorless ESCs
LiPo/NiMH Cells	2-3S LiPo, 6-9S NiMH	Applications	1/10th Rock Crawler
BEC Output	6V/7.4V Switchable, Continuous Current of 3A (Switch-mode)	LiPo/NiMH Cells	2-3S LiPo, 6-9S NiMH
Motor Connectors	4mm Bullet	Motor Connectors	4mm Bullet
Dimensions	47.4mm x 36.2mm x 24.6mm	Dimensions	36mm Diameter x 57.8mm
Weight	82g	Motor Output Shaft	3.175mm Diameter x 16mm
Compatible Motors	SPMXSM3000, SPMXSM3001, SPMXSM3002,	Weight	239g
Programming	SPMXCA200 Programmer Box Required	Motor Poles	4



Gearing

Improper gearing will cause excessive heat buildup in the motor and speed control. Use your vehicle's kit manual in order to find the manufacturer's recommended pinion size. It is best to monitor the system's operating temperature when you are operating on new and different tracks or racing surfaces. Your system's operating temperature should never exceed 160°F (71°C). The best place to

monitor the system's temperature is at the center of the end bell. If the temperature is higher than 160°F (71°C) after a 5 minute run, the gearing should be lowered (change to a smaller pinion gear).

CAUTION: Once the battery is connected to the system, stay clear of the rotating shaft and pinion gear. Failure to do so could result in personal injury.

Installation of the System

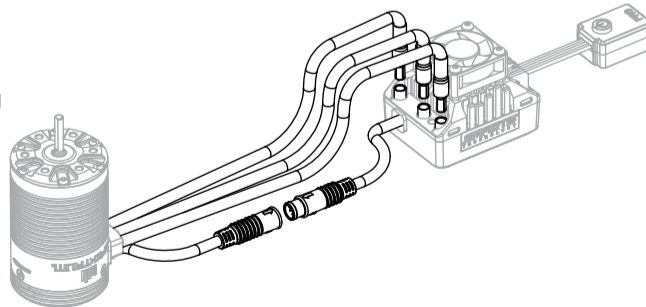
Always ensure the mounting screws are long enough to properly seat into the motor. However, ensure the screws do not enter into the motor too far, which could cause damage. The maximum depth that the mounting screws can enter into the motor is approximately 3/16 in (5mm). We suggest using the mounting hardware included with your vehicle. The use of screws that are too long will damage the system and void any warranty. When installing the motor into your vehicle, it is very important that the gear mesh is correct and smooth with no binding. The vehicle's motor mounts usually feature adjustable slotted mounting holes so that you can adjust the gear mesh properly.

Proper gear mesh (how gear teeth meet) is important to the performance of the vehicle. When the gear mesh is too loose, the spur gear could be damaged by the pinion gear of the motor. If the mesh is too tight, speed could be limited and the system will overheat. Insert a small piece of paper in between the pinion and spur gears as you are installing them. Push the gears together while tightening the screws that mount the system. When the mesh is at the correct distance, remove the small piece of paper by rotating the spur gear until the paper comes out. Check the mesh at multiple points around the larger spur gear before finalizing the motor mounting position.

Connecting the Motor to the ESC

- The Firma 60a Sensored brushless ESC only supports the Spektrum Sensorless brushless motors. This ESC cannot be paired with any other type of motor. These Spektrum Motors cannot be used with any other type of ESC.
- There is strict wiring order from the ESC to the motor. The three A/B/C ESC connections must connect to the three A/B/C motor wires correspondingly. Connect ESC Terminal A to Motor Terminal A; ESC Terminal B to Motor Terminal B; and ESC Terminal C to Motor Terminal C. Unlike sensorless ESCs and motors, you cannot change the wiring order with a sensored ESC and motor. Never change the order of your motor wires or damage will occur.
- Connect the ESC sensor wire to the motor sensor wire.

NOTICE: Always disconnect the battery from the system when you have finished operating your vehicle. The system's switch only controls power to the receiver and servos. The system will continue to draw current when connected to the battery, resulting in possible damage to the battery through over-discharge.



Throttle Signal

Smart Throttle:

The Spektrum Firma™ ESC is compatible with Smart Throttle. Smart Throttle combines throttle signals with telemetry data from the ESC on one normal three wire servo connector. Smart Throttle compatible receivers will detect a Smart Throttle ESC and automatically begin to send telemetry information to your transmitter.

Using the Smart Throttle connection this ESC can send voltage, current, and other telemetry data. It can also pass along battery data from compatible Spektrum Smart batteries. A Spektrum Smart battery with IC3™ or IC5™ connector is required for battery data. EC3™ connectors are compatible for basic operation, but will not provide Smart battery data.

Only certain Spektrum telemetry receivers include Smart Throttle, check your receiver manual for more information. If the ESC is not connected to a Smart Throttle compatible receiver no telemetry data from the ESC will be available, but the ESC will operate normally with a common servo signal (PWM).

Normal Servo Signal (PWM):

The Firma ESCs are fully compatible with common RC receivers and will use a conventional PWM signal for basic operation.

NOTICE: Do not connect a dedicated receiver battery to the receiver along with the ESC. When the ESC is turned On it will provide the receiver with 6V regulated power from the main battery through the throttle connection. The ESC may be damaged if the receiver is also connected to a dedicated receiver battery.

ESC Calibration

In order to make the ESC match the throttle range, you must calibrate it when you begin to use a new ESC. If you install a new radio system, or make changes to your throttle/brake values in your transmitter, you must redo the ESC Calibration Process. Failure to calibrate the ESC to your radio system will result in the ESC not working correctly. Set the Fail Safe on your radio to a neutral position to ensure the motor stops in the event of a signal loss.

- Power ON your transmitter, and begin with throttle values at 100% for dual rates and travel, and at neutral for trim and sub-trim. Verify there are no ABS braking functions activated before proceeding with calibration. For transmitters without an LCD, turn the D/R knob to the max setting, and center the throttle trim.
- Connect a battery to the ESC.
- Press and hold the power button. The red LED on the ESC will start to flash and the motor will beep, release the power button (The ESC will enter the programming mode if the SET button is not released within 8 seconds)
- With the throttle trigger and trim in the neutral position, press and release the power button. The Green LED will flash once and the motor will emit one tone.
- Pull the throttle trigger to full throttle, and press and release the power button. The Green LED will flash twice and the motor will emit two tones.
- Push the throttle trigger to full reverse, and press and release the SET button. The Green LED will flash three times and the motor will emit three tones.
- When calibration is complete the motor will operate normally.

Operation

- Power ON your transmitter.
 - Connect a battery to the ESC.
 - Press and release the ON/OFF button to Power ON the vehicle
 - After operation, press and release the ON/OFF button to power OFF the vehicle, or unplug the battery.
- IMPORTANT:** Always unplug the battery after operation. If you leave the battery connected for an extended period of time, it will slowly drain the battery to zero volts and cause permanent damage to your battery.

Programming Options

Item	Programmable Item	Option 1	Option 2	Option 3	Option 4	Option 5	Option 6	Option 7	Option 8	Option 9	Option 10
1	Cutoff Voltage	Disabled	3.0V/Cell	3.2V/Cell	3.4V/Cell						
2	Max. Forward Force	25%	37.5%	50%	62.5%	75%	87.5%	100%			
3	Max. Reverse Force	25%	37.5%	50%	62.5%	75%	87.5%	100%			
4	Turbo Timing	0° – 10° Adjustable in 1° Increments (0° Default)									
5	Turbo Delay	Instant	0.1s	0.2s	0.3s	0.4s	0.5s				
6	Drag Brake Force	50% – 200% Adjustable in 5% Increments (Default: 80%)									
7	Drag Brake Rate	Level 1	Level 2	Level 3	Level 4	Level 5	Level 6	Level 7	Level 8	Level 9	Auto
8	Neutral Range	6% – 17% Adjustable in 1% Increments (Default: 10%)									
9	Start Mode (Punch)	Level 1	Level 2	Level 3	Level 4	Level 5	Level 6	Level 7	Level 8	Level 9	
10	BEC Voltage	6.0V	7.4V								
11	Motor Rotation	CW	CCW								

1. Cutoff Voltage

Low Voltage Cutoff (LVC) for LiPo Protection. This item is mainly for preventing LiPo packs from being over-discharged. If the LVC is enabled, the ESC will reduce the output to 50% and cut power 10 seconds later when the voltage goes below the cutoff threshold. The red LED will begin a repeating single flash when the ESC enters LVC.

If the LVC is disabled, the ESC will not cut off the power when the voltage is low. We don't recommend setting the LVC to "Disabled" when using a LiPo pack. Without LVC it is easy for a LiPo battery to be damaged due to over-discharge.

- NiMH** - For a NiMH pack, we recommend setting this item to "Disabled."
- Cutoff Voltage** - The ESC will set the cutoff for the pack based on the voltage the battery is at when the battery is connected.

2. Max. Forward Force

The power applied to the motor when the throttle trigger is at the full throttle position. You can reduce the value for better driving feel/control when you drive a crawler over difficult terrain.

3. Max. Reverse Force

The power applied to the motor when the throttle trigger is at the full reverse position. We recommend using a low value for most drivers.

4. Turbo Timing

This item is adjustable from 0 degree to 10 degrees, the value you select will initiate at full throttle. It's usually activated on long straightaways and makes the motor unleash its maximum potential. Turbo timing adds a margin of power at full throttle.

5. Turbo Delay

When "Turbo Delay" is set to "Instant", the Turbo Timing will be activated immediately when the throttle trigger is moved to the full throttle position. Turbo Delay values will delay the application of the selected Turbo Timing value.

6. Drag Brake Force

Braking power when the throttle is at the neutral position. Higher drag brake values are used to provide a stronger hold or hill brakes.

IMPORTANT: Drag brakes will consume more power and heat will be increased, start with small values and use with caution. Improve ventilation to ESC if heat is excessive.

7. Drag Brake Rate

This feature manages how rapidly the ESC applies drag brakes. Choose the drag brake rate from level 1 (very soft) to level 9 (very aggressive); lower values ramp the brakes slower and prevent sudden stops or jerky stopping movements.

In Auto mode, the ESC adjusts the Drag Brake Rate automatically based on the current speed and can be helpful to prevent the vehicle from flipping over or from sustaining drivetrain damage from harsh braking, but also provides a sensitive braking feel at low speeds;

- The higher the current speed, the lower the drag brake rate.
- The lower the current speed, the higher the drag brake rate.

8. Neutral Range

Adjust this parameter to your preference to account for deadband in the throttle response. If you notice inconsistent drag brakes, increase your Neutral Range value.

9. Start Mode(Punch)

Set the punch from level 1 (very soft) to level 9 (very aggressive). This feature is very useful for preventing tires from spinning. Punch levels 7 and above require high discharge capable batteries. If the car stutters or suddenly loses power when accelerating it may indicate the battery does not have adequate discharge capabilities for the application. Reduce the punch value, pinion gear size, or change to a higher C rated battery.

10. BEC Voltage

- Option 1: 6.0V** Appropriate for most standard servos. Not recommended for High Voltage (HV) servos.
- Option 2: 7.4V** Appropriate for high voltage servos. Do not use this option with standard servos; it's possible a standard 5 – 6 Volt rated servo will be damaged at this voltage setting.

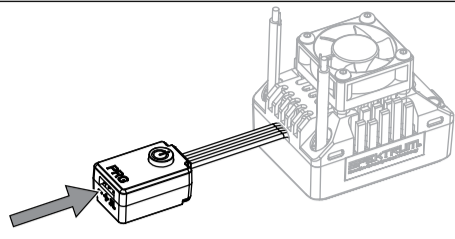
Automatic Motor Pairing

If you change to a different Kv motor, or if the motor has been subjected to severe impact or has abnormal heating and abnormal power output during operation, you will need follow these instructions for automatic motor pairing.

- Disconnect the throttle cable from the receiver, and remove the motor pinion.
- Connect the battery, press and hold the power button. The switch for the ESC will flash red, then a short double flash that repeats after about 8 seconds, then you can release the power button.
- It will enter the automatic motor pairing process and the motor will automatically rotate (the green light inside the ESC will flash at the same time).
- When the motor stops, the green led will turn on solid.
- After the automatic motor pairing is completed, the ESC will self-check (power-on tones). Reconnect the throttle line and restart/repower the ESC to operate normally

Programming with the SPMXCA200 Smart Programmer Box

- Connect the programming box to the switch.
- Connect a battery to the ESC.
- Power on the box and select the parameter with the SELECT button.
- Change the values of the selected parameter with the EDIT button
- Press the SAVE button to save the changes. The ESC requires a power cycle to implement the saved changes.



Factory Reset

It is possible to restore the default values if necessary.

- After connecting the ESC to the programming card, press "RESET" key and then press "SAVE" key to save, the factory settings can be restored. After applying a factory reset, you must perform the calibration procedure before operating your vehicle.

Status LEDs

- During the start up process;
 - The red LED keeps flashing rapidly indicating the ESC doesn't detect any throttle signal, or the neutral throttle value stored on your ESC may be different from the current value stored on the transmitter. Redo the ESC calibration process if your ESC is flashing and not working.
 - The green LED flashes a number of times, indicating the number of LiPo cells you have plugged in.
- In Operation - What lights you should see.
 - The red & green LEDs go out when the throttle trigger is in throttle neutral zone.
 - The red LED illuminates when your vehicle runs forward. The green LED will also illuminate when pulling the throttle trigger to the full (100%) throttle endpoint and setting the "Max. Forward Force" to 100%.
 - The red LED illuminates when you brake the vehicle, the green LED will also illuminate when pushing the throttle trigger to the full brake endpoint and setting the "Max. Reverse Force" to 100%.
- Error or Warning LED codes
 - The red LED flashes a short, repeating single flash, indicating the low voltage cutoff protection is activated.
 - The green LED flashes a short, repeating single flash, indicating the ESC thermal protection is activated.
 - The green LED flashes a short, repeating double flash, indicating the motor thermal protection is functioning.
 - The green and red LEDs flash a short, repeating double flash, indicating the power system stops functioning due to "sensor issue". In that case, please check if the ESC sensor wire has been firmly connected to the motor sensor wire before resuming the operation.

Problem	Possible Cause	Possible Solution
The ESC is not starting, and no status LED is lit.	1. No power getting to ESC. 2. ESC switch was damaged.	1. Check all ESC and battery connections and check the status of the battery. 2. Replace the switch.
The ESC was unable to start the motor, sounded a continuous repeating tone with a one second interval, and the green LED on the ESC flashed.	The battery voltage is beyond the normal range.	Check if the battery voltage is within the specified range.
After the ESC is powered on and finished LiPo detection, the green LED flashed X number of times, and then the red LED flashed.	1. The ESC didn't detect a throttle signal. 2. The neutral throttle value stored on your ESC is different from the one stored on the transmitter.	1. Check if the throttle wire is plugged in backward or in the wrong channel, and verify the transmitter has good batteries and is powered ON. 2. Re-calibrate the throttle range after you release the throttle trigger to the neutral position.
The vehicle runs backward when you pull the throttle trigger for forward.	The default motor direction doesn't match your chassis.	Reverse the motor using the SPMXCA200 programmer box
The motor suddenly stopped or significantly reduced the output in operation.	1. The control link receiver was influenced by radio interference. 2. The ESC entered the LVC protection. 3. The ESC entered the ESC thermal protection.	1. See your transmitter manual for more information on troubleshooting the radio link. 2. If the red LED keeps flashing indicating the LVC protection is activated, replace the battery. 3. The green LED keeps flashing indicating the ESC thermal protection is activated. Allow the ESC to cool before use.
The vehicle won't start operation, and the red and green LEDs flash a short, repeating double flash.	1. Problem with the sensor wire connection. 2. Damage to the ESC or wires.	1. Check if the ESC and motor sensor wires are damaged, re-connect them and re-start the ESC. 2. Contact the Horizon Hobby Service center
The throttle response is bad close to neutral and the vehicle wants to crawl.	1. Worn potentiometer on throttle mechanism of the transmitter. 2. The ESC calibration was not proper.	1. Repair or replace your transmitter. 2. Re-calibrate the throttle range or fine tune the neutral position on the transmitter.
When pressing the SET button to set the throttle neutral position, the green LED didn't flash and no beep was emitted, or you were unable to set the full throttle endpoint and the full brake endpoint after the neutral position was accepted.	1. The ESC throttle cable wasn't plugged into the correct channel on the receiver. 2. The ESC throttle cable was plugged in backward. 3. The throttle range set on your ESC is different from what your transmitter has set.	1. Plug the throttle cable into the throttle (TH) channel on your receiver. 2. Refer to your receiver manual to verify proper connection. 3. Re-calibrate your transmitter to the ESC.

1-Year Limited Warranty

What this Warranty Covers

Horizon Hobby, LLC, (Horizon) warrants to the original purchaser that the product purchased (the "Product") will be free from defects in materials and workmanship for a period of 1 year from the date of purchase.

What is Not Covered

This warranty is not transferable and does not cover (i) cosmetic damage, (ii) damage due to acts of God, accident, misuse, abuse, negligence, commercial use, or due to improper use, installation, operation or maintenance, (iii) modification of or to any part of the Product, (iv) attempted service by anyone other than a Horizon Hobby authorized service center, (v) Product not purchased from an authorized Horizon dealer, (vi) Product not compliant with applicable technical regulations, or (vii) use that violates any applicable laws, rules, or regulations. OTHER THAN THE EXPRESS WARRANTY ABOVE, HORIZON MAKES NO OTHER WARRANTY OR REPRESENTATION, AND HEREBY DISCLAIMS ANY AND ALL IMPLIED WARRANTIES, INCLUDING, WITHOUT LIMITATION, THE IMPLIED WARRANTIES OF NON-INFRINGEMENT, MERCHANTABILITY AND FITNESS FOR A PARTICULAR PURPOSE. THE PURCHASER ACKNOWLEDGES THAT THEY ALONE HAVE DETERMINED THAT THE PRODUCT WILL SATISFACTORILY MEET THE REQUIREMENTS OF THE PURCHASER'S INTENDED USE.

Purchaser's Remedy

Horizon's sole obligation and purchaser's sole and exclusive remedy shall be that Horizon will, at its option, either (i) service, or (ii) replace, any Product determined by Horizon to be defective. Horizon reserves the right to inspect any and all Product(s) involved in a warranty claim. Service or replacement decisions are at the sole discretion of Horizon. Proof of purchase is required for all warranty claims. SERVICE OR REPLACEMENT AS PROVIDED UNDER THIS WARRANTY IS THE PURCHASER'S SOLE AND EXCLUSIVE REMEDY.

Horizon's sole obligation and purchaser's sole and exclusive remedy shall be that Horizon will, at its option, either (i) service, or (ii) replace, any Product determined by Horizon to be defective. Horizon reserves the right to inspect any and all Product(s) involved in a warranty claim. Service or replacement decisions are at the sole discretion of Horizon. Proof of purchase is required for all warranty claims. SERVICE OR REPLACEMENT AS PROVIDED UNDER THIS WARRANTY IS THE PURCHASER'S SOLE AND EXCLUSIVE REMEDY.

Limitation of Liability
HORIZON SHALL NOT BE LIABLE FOR SPECIAL, INDIRECT, INCIDENTAL OR CONSEQUENTIAL DAMAGES, LOSS OF PROFITS OR PRODUCTION OR COMMERCIAL LOSS IN ANY WAY, REGARDLESS OF WHETHER SUCH CLAIM IS BASED IN CONTRACT, WARRANTY, TORT, NEGLIGENCE, STRICT LIABILITY OR ANY OTHER THEORY OF LIABILITY, EVEN IF HORIZON HAS BEEN ADVISED OF THE POSSIBILITY OF SUCH DAMAGES. Further, in no event shall the liability of Horizon exceed the individual price of the Product on which liability is asserted. As Horizon has no control over use, setup, final assembly, modification or misuse, no liability shall be assumed nor accepted for any resulting damage or injury. By the act of use, setup or assembly, the user accepts all resulting liability. If you as the purchaser or user are not prepared to accept the liability associated with the use of the Product, purchaser is advised to return the Product immediately in new and unused condition to the place of purchase.

Law
These terms are governed by Illinois law (without regard to conflict of law principals). This warranty gives you specific legal rights, and you may also have other rights which vary from state to state. Horizon reserves the right to change or modify this warranty at any time without notice.

WARRANTY SERVICES
Questions, Assistance, and Services
Your local hobby store and/or place of purchase cannot provide warranty support or service. Once assembly, setup or use of the Product has been started, you must contact your local distributor or Horizon directly. This will enable Horizon to better answer your questions and service you in the event that you may need any assistance. For questions or assistance, please visit

ATTENTION: Horizon service is limited to Product compliant in the country of use and ownership. If received, a non-compliant Product will not be serviced. Further, the sender will be responsible for arranging return shipment of the un-serviced Product, through a carrier of the sender's choice and at the sender's expense. Horizon will hold non-compliant Product for a period of 60 days from notification, after which it will be discarded.

Warranty and Service Contact Information

Country of Purchase	Horizon Hobby	Contact Information	Address
United States of America	Horizon Service Center (Repairs and Repair Requests)	servicecenter.horizonhobby.com/RequestForm/	2904 Research Rd. Champaign, Illinois 61822 USA
	Horizon Product Support (Product Technical Assistance)	productsupport@horizonhobby.com. 877-504-0233	
	Sales	websales@horizonhobby.com 800-338-4639	

FCC Information

Supplier's Declaration of Conformity

Sensored 1/10th Scale Crawler Smart Power System (SPMXSEMCO8)
This device complies with part 15 of the FCC Rules. Operation is subject to the following two conditions: (1) This device may not cause harmful interference, and (2) this device must accept any interference received, including interference that may cause undesired operation.

CAUTION: Changes or modifications not expressly approved by the party responsible for compliance could void the user's authority to operate the equipment.

NOTE: This equipment has been tested and found to comply with the limits for a Class B digital device, pursuant to part 15 of the FCC Rules. These limits are designed to provide reasonable protection against harmful interference in a residential installation. This equipment generates, uses and can radiate radio frequency energy and, if not installed and used in accordance with the instructions, may cause harmful interference to radio communications. However,

IC Information

CAN ICES-3 (B)/NMB-3(B)

Compliance Information for the European Union

EU Compliance Statement:
Sensored 1/10th Scale Crawler Smart Power System (SPMXSEMCO8); Hereby, Horizon Hobby, LLC declares that the device is in compliance with the following:
2014/30/EU EMC Directive;
RoHS 2 Directive 2011/65/EU;
RoHS 3 Directive - Amending 2011/65/EU Annex II 2015/863.
The full text of the EU declaration of conformity is available at the following internet address: <https://www.horizonhobby.com/content/support-render-compliance>.

EU Manufacturer of Record:
Horizon Hobby, LLC
2904 Research Road
Champaign, IL 61822 USA
EU Importer of Record:
Horizon Hobby, GmbH
Hanskampung 9
22885 Barsbüttel Germany

WEEE NOTICE:
This appliance is labeled in accordance with European Directive 2012/19/EU concerning waste of electrical and electronic equipment (WEEE). This label indicates that this product should not be disposed of with household waste. It should be deposited at an appropriate facility to enable recovery and recycling.



Manuel d'utilisation

REMARQUE
Toutes les instructions, garanties et autres documents de garantie sont sujets à la seule discrétion de Horizon Hobby, LLC. Veuillez, pour une littérature produits bien à jour, visiter www.horizonhobby.com ou www.towerhobbies.com et cliquer sur l'onglet de support de ce produit.
Signification de certains termes spécifiques
Les termes suivants sont utilisés dans l'ensemble du manuel pour indiquer différents niveaux de danger lors de l'utilisation de ce produit : <p>AVERTISSEMENT : procédures qui, si elles ne sont pas suivies correctement, peuvent entraîner des dégâts matériels et des blessures graves OU engendrer une probabilité élevée de blessure superficielle.</p> <p>ATTENTION : procédures qui, si elles ne sont pas suivies correctement, peuvent entraîner des dégâts matériels ET des blessures graves.</p> <p>REMARQUE : procédures qui, si elles ne sont pas suivies correctement, peuvent entraîner des dégâts matériels ET éventuellement un faible risque de blessures.</p>

AVERTISSEMENT : lisez la TOTALITÉ du manuel d'utilisation afin de vous familiariser avec les caractéristiques du produit avant de le faire fonctionner. Une utilisation incorrecte du produit peut entraîner sa détérioration, ainsi que des risques de dégâts matériels, voire de blessures graves.

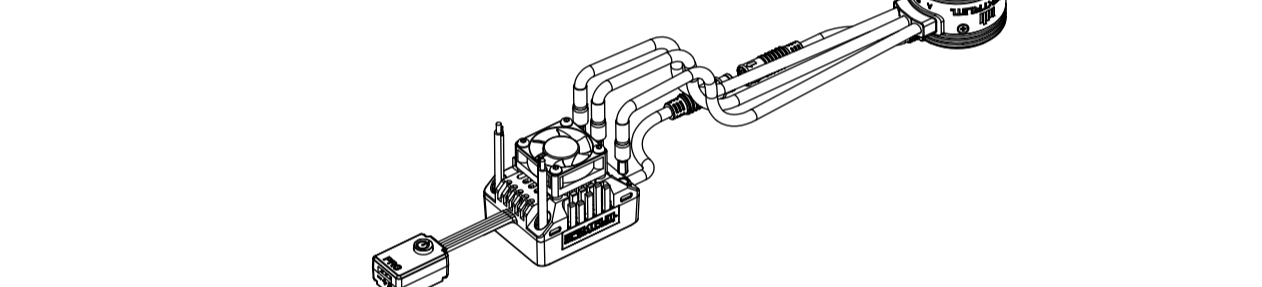
Ceci est un produit de loisirs sophistiqué. Il doit être manipulé avec prudence et bon sens et requiert des aptitudes de base en mécanique. Toute utilisation irresponsable de ce produit ne respectant pas les principes de sécurité peut provoquer des blessures, entraîner des dégâts matériels et endommager le produit. Ce produit n'est pas destiné à être utilisé par des enfants sans la surveillance directe d'un adulte. N'essayez pas de démonter le produit, de l'utiliser avec des composants incompatibles ou d'en améliorer les performances sans l'accord d'Horizon Hobby, LLC. Ce manuel comporte des instructions relatives à la sécurité, au fonctionnement et à l'entretien. Il est capital de lire et de respecter la totalité des instructions et avertissements du manuel avant l'assemblage, le réglage et l'utilisation, ceci afin de manipuler correctement l'appareil et d'éviter tout dégât matériel ou toute blessure grave.

14 ans et plus. Ceci n'est pas un jouet.

REMARQUE : Ce produit est uniquement réservé à une utilisation avec des modèles réduits radiocommandés de loisir. Horizon Hobby se dégage de toute responsabilité et garantie si le produit est utilisé d'autre manière que celle citée précédemment.

Spécifications du variateur ESC SPMXSE1060

Courant continu/ de crête	60 A/360 A
Type de moteur	Moteurs sans capteur Spektrum uniquement
Applications	Rock Crawler échelle 1/10
Cellules Li-Po/ NiMH	2-3S Li-Po, 6-9S NiMH
Sortie BEC	6 V/7,4 V commutable, courant continu de 3 A (mode de commutation)
Connecteurs du moteur	Cylindriques de 4 mm
Dimensions	47,4 mm x 36,2 mm x 24,6 mm
Poids	82 g
Moteurs compatibles	SPMXSM3000, SPMXSM3001, SPMXSM3002,
Programmation	Boîte du programmeur SPMXCA200 requise



Engrenage

Un engrenage incorrect entrainera une accumulation excessive de chaleur dans le moteur et le variateur de vitesse. Utilisez le manuel du kit de votre véhicule afin de connaître la taille de pignon recommandée par le fabricant. Il est préférable de surveiller la température de fonctionnement du système lorsque vous utilisez votre véhicule sur des pistes ou des surfaces de course nouvelles et différentes. La température de fonctionnement de votre système ne doit jamais dépasser 71 °C (160 °F). Le meilleur endroit pour surveiller la

Installation du système

Vérifiez toujours que les vis de montage sont suffisamment longues pour se positionner correctement dans le moteur. Cependant, assurez-vous que les vis ne pénètrent pas trop loin dans le moteur, car cela pourrait l'endommager.

La profondeur maximale à laquelle les vis de montage peuvent pénétrer dans le moteur est d'environ 5 mm (3/16 po). Nous vous suggérons d'utiliser le matériel de montage inclus avec votre véhicule. L'utilisation de vis trop longues endommagera le système et annulera toute garantie.

Lors de l'installation du moteur dans votre véhicule, il est très important que l'engrènement soit correct, lisse et sans accroche. Les supports du moteur du véhicule comportent généralement des orifices de montage à fentes réglables permettant d'ajuster correctement l'engrènement.

Raccordement du moteur au variateur ESC

- Le variateur ESC sans balais avec capteur 60 A Firma ne prend en charge que les moteurs sans balais et sans capteur Spektrum. Ce variateur ESC ne peut être apparié à aucun autre type de moteur. Ces moteurs Spektrum ne peuvent être utilisés avec aucun autre type de variateur ESC.
- L'ordre de câblage entre le variateur ESC et le moteur doit être strictement respecté. Les trois raccords A/B/C du variateur ESC doivent être branchés aux trois câbles A/B/C du moteur en conséquence.

Branchez la borne A du variateur ESC à la borne A du moteur ; la borne B du variateur ESC à la borne B du moteur ; et la borne C du variateur ESC à la borne C du moteur.

Contrairement aux variateurs ESC et aux moteurs sans capteur, vous ne pouvez pas modifier l'ordre de câblage avec un variateur ESC et un moteur avec capteur. Ne modifiez jamais l'ordre de câblage du moteur, car cela l'endommagerait.



Signal d'accélérateur

Accélération Smart :

Le variateur ESC du Spektrum Firma™ est compatible avec l'Accélération Smart. L'Accélération Smart associe les signaux d'accélérateur aux données de télémétrie du variateur ESC sur un connecteur de servo normal à trois câbles. Les récepteurs compatibles avec l'Accélération Smart détectent un variateur ESC avec l'Accélération Smart et commencent automatiquement à envoyer des informations de télémétrie à votre émetteur.

À l'aide de la connexion à l'Accélération Smart, ce variateur ESC peut envoyer des données de télémétrie relatives à la tension, au courant et au tre. Il peut également transmettre des données sur la batterie à partir des batteries Spektrum Smart compatibles. Une batterie Spektrum Smart avec un connecteur IC3™ ou IC5™ est nécessaire pour transmettre des données de batterie. Les connecteurs EC3™ sont compatibles avec une utilisation de base, mais ne fourniront pas de données sur la batterie Smart.

Seuls certains récepteurs télémétriques Spektrum sont dotés de l'Accélération Smart. Consultez le manuel de votre récepteur pour en savoir plus. Si le variateur ESC n'est pas connecté à un récepteur compatible avec l'Accélération Smart, aucune donnée de télémétrie du variateur ESC ne sera disponible, mais le variateur ESC fonctionnera normalement avec un signal de servo commun (PWM).

Signal de servo normal (PWM) :

Les variateurs ESC Firma sont entièrement compatibles avec les récepteurs d'appareils téléguidés courants et utilisent un signal PWM conventionnel pour le fonctionnement de base.

REMARQUE : Ne branchez pas une batterie de récepteur dédiée à un récepteur avec le variateur ESC. Lorsque le variateur ESC est activé, il fournit au récepteur une puissance régulée de 6 V à partir de la batterie principale par le biais du branchement de l'accélérateur. Le variateur ESC peut s'endommager si le récepteur est également branché à la batterie du récepteur dédiée.

Étalonnage du variateur ESC

Pour que le variateur ESC s'adapte à la plage d'accélération, vous devez l'étalonner dès lors que vous utilisez un nouveau variateur ESC. Si vous installez un nouveau système radio ou modifiez les valeurs d'accélération/de freinage de votre émetteur, vous devez à nouveau procéder à l'étalonnage du variateur ESC. Si vous n'étalonnez pas le variateur ESC avec votre système radio, le variateur ESC ne fonctionnera pas correctement. Réglez la sécurité intégrée avec votre radio sur une position neutre pour vous assurer que le moteur s'arrête en cas de perte de signal.

- Allumez votre émetteur et commencez avec des valeurs d'accélération à 100 % pour les doubles débattements et la course, et en position neutre pour le compensateur et le sous-compensateur. Vérifiez qu'aucune fonction de freinage ABS n'est activée avant de procéder à l'étalonnage. Avec les émetteurs sans écran LCD, tournez le bouton D/R sur le réglage maximal et centrez le compensateur des gaz.
- Branchez une batterie au variateur ESC.
- Appuyez sur le bouton d'alimentation et maintenez-le enfoncé. La DEL rouge sur le variateur ESC commencera à clignoter et le moteur émettra un bip, relâchez le bouton d'alimentation (le variateur ESC entrera en mode de programmation si le bouton SET (Configurer) n'est pas relâché dans les 8 secondes)
- Avec la commande d'accélérateur et le compensateur des gaz en position neutre, appuyez sur le bouton d'alimentation et maintenez-le enfoncé. La DEL verte clignotera une fois et le moteur émetra une tonalité.
- Tirez sur la commande d'accélérateur vers la position de plein régime, appuyez sur le bouton d'alimentation et maintez-le enfoncé. La DEL verte clignotera deux fois et le moteur émettra deux tonalités.
- Maintenez la commande d'accélérateur sur la position arrière complet, enfoncez et relâchez le bouton SET (Configurer). La DEL verte clignotera trois fois et le moteur émettra trois tonalités.
- Lorsque l'étalonnage sera terminé, le moteur fonctionnera normalement.

Fonctionnement

- Mettez l'émetteur en marche.
- Branchez une batterie au variateur ESC.
- Appuyez sur le bouton ON/OFF et relâchez-le pour allumer le véhicule
- Après l'opération, appuyez sur le bouton ON/OFF et relâchez-le pour éteindre le véhicule ou débranchez la batterie.

IMPORTANT : Débranchez toujours la batterie après avoir utilisé le véhicule. Si vous laissez la batterie branchée pendant une période prolongée, elle se déchargera lentement, ce qui causera des dommages permanents à votre batterie.

Options de programmation

Élément	Élément programmable	Option 1	Option 2	Option 3	Option 4	Option 5	Option 6	Option 7	Option 8	Option 9	Option 10
1	Tension de coupure	Désactivé	3,0 V/ cellule	3,2 V/ cellule	3,4 V/ cellule						
2	Force d'avance maximale	25 %	37,5 %	50 %	62,5 %	75 %	87,5 %	100 %			
3	Force de recul maximale	25 %	37,5	50 %	62,5 %	75 %	87,5 %	100 %			
4	Turbo Timing	0 ° – 10 ° réglable par incréments de 1 ° (par défaut : 0 °)									
5	Délai Turbo	Instantané	0,1 s	0,2 s	0,3 s	0,4 s	0,5 s				
6	Force de freinage par résistance	50 % – 200 % réglable par incréments de 5 % (par défaut : 80 %)									
7	Débattement de la force de freinage	Niveau 1	Niveau 2	Niveau 3	Niveau 4	Niveau 5	Niveau 6	Niveau 7	Niveau 8	Niveau 9	Automatique
8	Plage neutre	6 % –17 % réglable par incréments de 1 % (par défaut : 10 %)									
9	Mode de démarrage (/ Énergie)	Niveau 1	Niveau 2	Niveau 3	Niveau 4	Niveau 5	Niveau 6	Niveau 7	Niveau 8	Niveau 9	
10	Tension du BEC	6,0 V	7,4 V								
11	Rotation du moteur	Sens horaire	Sens antihoraire								

1. Tension de coupure

Coupeure par tension faible (LVC) pour la protection de la batterie Li-Po. Cet élément sert principalement à empêcher les packs de batteries Li-Po d'être surchargés. Si la LVC est activée, le variateur ESC réduit la sortie à 50 % et coupe l'alimentation 10 secondes plus tard lorsque la tension passe en dessous du seuil de coupure. La DEL rouge clignote une fois de manière répétée lorsque le variateur ESC active la LVC.

Si la LVC est désactivée, le variateur ESC ne coupe pas l'alimentation lorsque la tension est faible. Nous ne vous recommandons pas de désactiver la LVC lorsque vous utilisez un pack de batteries Li-Po. Sans LVC, il est facile pour une batterie Li-Po d'être endommagée en raison d'une décharge excessive.

• NiMH – Avec un pack de batteries NiMH, nous vous recommandons de régler cet élément sur « Désactivé ».

• Tension de coupure – Le variateur ESC règle la coupure du pack en fonction de la tension de la batterie lorsque cette dernière est branchée.

2. Force d'avance maximale

La puissance appliquée au moteur lorsque la commande d'accélérateur est en position de plein régime. Vous pouvez réduire la valeur pour une meilleure sensation/un meilleur contrôle de conduite lorsque vous conduisez un crawler sur un terrain difficile.

3. Force de recul maximale

La puissance appliquée au moteur lorsque la commande d'accélérateur est en position arrière complet. Nous vous recommandons d'utiliser une faible valeur pour la plupart des pilotes.

4. Turbo Timing

Cet élément est réglable de 0 degré à 10 degrés, la valeur que vous sélectionnez démarreera à plein régime. Il est généralement activé sur de longues lignes droites et permet au moteur de libérer son potentiel maximal. Le Turbo Timing ajoute une marge de puissance à plein régime.

5. Délai Turbo

Quand « Délai Turbo » est réglé sur « Instantané », le Turbo Timing est activé immédiatement lorsque la commande d'accélérateur est déplacée vers la position de plein régime. Les valeurs de « Délai Turbo » retardent l'application de la valeur « Turbo Timing » sélectionnée.

6. Force de freinage par résistance

Puissance de freinage lorsque l'accélérateur est en position neutre. Des valeurs de freinage par résistance plus élevées sont utilisées pour fournir un freinage de maintien ou en pente plus puissant.

IMPORTANT : Les freinages par résistance consomment plus de puissance et la chaleur augmente, commencez par de petites valeurs et utilisez cette fonctionnalité avec prudence. Améliorez la ventilation du variateur ESC si la chaleur est excessive.

7. Débattement de la force de freinage

Cette fonctionnalité gère la rapidité avec laquelle le variateur ESC applique les freinages par résistance. Choisissez le débattement de la force de freinage du niveau 1 (très doux) au niveau 9 (très agressif) ; des valeurs inférieures intensifient plus lentement les freinages et empêchent les arrêts brusques ou les mouvements d'arrêt saccadés.

En mode automatique, le variateur ESC ajuste automatiquement le débattement de la force de freinage en fonction de la vitesse réelle et peut être utile pour empêcher le véhicule de basculer ou d'endommager la transmission par un freinage brusque, mais il fournit également une sensation de freinage sensible à basse vitesse :

- Plus la vitesse réelle est élevée, plus le débattement de la force de freinage est faible.
- Plus la vitesse réelle est faible, plus le débattement de la force de freinage est élevé.

8. Plage neutre

Ajustez ce paramètre selon vos préférences pour tenir compte de la bande morte dans la réponse de l'accélérateur. Si vous remarquez des freinages par résistance incohérents, augmentez la valeur de votre plage neutre.

9. Mode de démarrage/Énergie

Réglez l'Énergie du niveau 1 (très doux) au niveau 9 (très agressif). Cette fonction est très utile pour empêcher les pneus de patiner. L'Énergie définie au niveau 7 et au-delà nécessite des batteries avec des capacités de décharge élevées. Si la voiture oscille ou perd soudainement de la puissance lors de l'accélération, cela peut indiquer que la batterie n'a pas les capacités de décharge adéquates pour l'application. Réduisez la valeur de l'énergie, la taille de l'engrenage à pignons ou passez à une batterie de classe C plus puissante.

10. Tension du BEC

- Option 1 : Une tension de 6,0 V convient à la plupart des servos standard. Non recommandé pour les servos haute tension.
- Option 2 : Une tension de 7,4 V convient aux servos haute tension. N'utilisez pas cette option avec les servos standard ; il est possible qu'un servo standard de 5 à 6 volts soit endommagé avec ce réglage de tension.

Appariement automatique du moteur

Si vous passez à un moteur avec une tension (kV) différente, ou si le moteur a été soumis à un choc sévère ou à un échauffement anormal et à une puissance de sortie anormale pendant le fonctionnement, vous devez suivre ces instructions pour l'appariement automatique du moteur.

- Débranchez le câble de l'accélérateur du récepteur et retirez le pignon du moteur.
- Branchez la batterie, appuyez sur le bouton d'alimentation et maintenez-le enfoncé. L'interrupteur du variateur ESC clignote en rouge, puis il clignote deux fois brièvement, ce clignotement se répète après environ 8 secondes, puis vous pouvez relâcher le bouton d'alimentation.
- Il démarre le processus d'appariement automatique du moteur et le moteur tourne automatiquement (le voyant vert situé à l'intérieur du variateur ESC clignotera en même temps).
- Lorsque le moteur s'arrête, la DEL verte s'allume en continu.
- Une fois l'appariement automatique du moteur terminé, le variateur ESC effectue une vérification automatique (tonalités de mise sous tension). Rebranchez la conduite d'accélérateur et redémarrez/allumez le variateur ESC pour qu'il fonctionne normalement.

IMPORTANT : Retirez le pignon du moteur avant d'effectuer l'appariement automatique du moteur. Si la transmission est raccordée, cela empêchera le bon déroulement de l'opération.

Programmation avec la boîte du programmeur Smart SPMXCA200

- Branchez une batterie au variateur ESC.
- Allumez la boîte et sélectionnez le paramètre avec le bouton de SÉLECTION.
- Modifiez les valeurs du paramètre sélectionné avec le bouton MODIFIER
- Appuyez sur le bouton ENREGISTRER pour enregistrer les modifications. Le variateur ESC nécessite un cycle d'alimentation pour mettre en œuvre les modifications enregistrées.

Réinitialisation aux paramètres d'usine

Il est possible de restaurer les valeurs par défaut si nécessaire.

- Après avoir raccordé le variateur ESC à la carte de programmation, appuyez sur la touche de « RÉINITIALISATION » puis sur la touche « SAVE » pour enregistrer, les paramètres d'usine peuvent être restaurés.

Après avoir appliqué une réinitialisation d'usine, vous devez effectuer la procédure d'étalonnage avant d'utiliser votre véhicule.

DEL d'état

- Pendant le processus de démarrage :
 - La DEL rouge continue de clignoter rapidement, indiquant que le variateur ESC ne détecte aucun signal de l'accélérateur, ou la valeur neutre de l'accélérateur stockée sur votre variateur ESC est peut-être différente de la valeur actuelle stockée sur l'émetteur. Procédez à nouveau à l'étalonnage du variateur ESC si votre variateur ESC clignote et ne fonctionne pas.
 - La DEL verte clignote plusieurs fois, indiquant le nombre de cellules Li-Po que vous avez branchées.
- En fonctionnement – Quelles lumières vous deviez voir.
 - Les DEL rouge et verte s'éteignent lorsque la commande d'accélérateur est en zone neutre.
 - La DEL rouge s'allume lorsque votre véhicule avance. La DEL verte s'allume également lorsque vous tirez sur la commande d'accélérateur jusqu'au point de terminaison de l'accélérateur à plein régime (100 %) et que vous réglez le paramètre « Force d'avance maximale » sur 100 %.
 - La DEL rouge s'allume lorsque vous freinez le véhicule, la DEL verte s'allume également lorsque vous appuyez sur la commande d'accélérateur jusqu'au point de terminaison de freinage maximal et que vous réglez le paramètre « Force de recul maximale » sur 100 %.
- Codes DEL d'erreur ou d'avertissement

- La DEL rouge clignote une fois, brièvement et de manière répétée, indiquant que la protection de coupure par tension faible est activée.

- La DEL verte clignote une fois, brièvement et de manière répétée, indiquant que la protection thermique du variateur ESC est activée.

- La DEL verte clignote deux fois, brièvement et de manière répétée, indiquant que le mode de protection thermique est activé.

- Les DEL verte et rouge clignotent deux fois, brièvement et de manière répétée, indiquant que le système d'alimentation cesse de fonctionner en raison d'un « problème de capteur ». Dans ce cas, veuillez vérifier si le câble du capteur du variateur ESC a été fermement branché au câble du capteur du moteur avant de reprendre l'opération.

Problème	Cause possible	Solution possible
Le variateur ESC ne démarre pas et aucune DEL d'état n'est allumée.	1. Aucune alimentation ne parvient au variateur ESC. <p>2. L'interrupteur du variateur ESC a été endommagé.</p>	1. Vérifiez tous les branchements du variateur ESC et de la batterie et vérifiez l'état de la batterie. <p>2. Remplacez l'interrupteur.</p>
Le variateur ESC n'a pas pu démarrer le moteur, a émis une tonalité répétée continue avec un intervalle d'une seconde, et la DEL verte sur le variateur ESC s'est mise à clignoter.	La tension de la batterie se situe en dehors de la plage normale.	Vérifiez si la tension de la batterie se situe dans la plage spécifiée.
Une fois le variateur ESC allumé et la détection Li-Po terminée, la DEL verte a clignoté X fois, puis la DEL rouge s'est mise à clignoter.	1. Le variateur ESC n'a pas détecté de signal d'accélérateur. <p>2. La valeur neutre de l'accélérateur enregistrée sur votre variateur ESC est différente de celle stockée sur l'émetteur.</p>	1. Vérifiez si le câble de l'accélérateur est branché à l'envers ou dans le mauvais canal, et vérifiez que l'émetteur possède les bonnes batteries et qu'il est sous tension. <p>2. Ré-étalonnez la plage d'accélération après avoir relâché la commande d'accélérateur en position neutre.</p>
Le véhicule recule lorsque vous appuyez sur la commande d'accélération pour avancer.	La direction par défaut du moteur ne correspond pas à votre châssis.	Inversez le moteur à l'aide de la boîte du programmeur SPMXCA200
Le moteur s'est soudainement arrêté ou a considérablement réduit la sortie lors du fonctionnement.	1. Le récepteur de la liaison de contrôle a été influencé par des interférences radio. <p>2. Le contrôleur a déclenché la protection LVC. <p>3. Le variateur ESC a déclenché la protection thermique du variateur ESC.</p></p>	1. Consultez le manuel de votre émetteur pour en savoir plus sur le dépannage de la liaison radio. <p>2. Si la DEL rouge continue de clignoter, indiquant que la protection LVC est activée, remplacez la batterie. <p>3. La DEL verte continue de clignoter pour indiquer que la protection thermique ESC est activée. Laissez le variateur ESC refroidir avant toute utilisation.</p></p>
Le véhicule ne démarre pas et les DEL rouge et verte clignotent deux fois, brièvement et de manière répétée.	1. Problème avec le branchement du câble du capteur. <p>2. Dommages du variateur ESC ou des câbles.</p>	1. Vérifiez si les câbles du variateur ESC et du capteur du moteur sont endommagés, rebranchez-les et redémarrez le variateur ESC. <p>2. Contactez le centre d'entretien Horizon Hobby</p>
L'accélérateur ne répond pas correctement près de la position neutre et le véhicule essaie d'avancer au ralenti.	1. Potentiomètre usé sur le mécanisme d'accélération de l'émetteur. <p>2. L'étalonnage du variateur ESC n'était pas correct.</p>	1. Réparez ou remplacez votre émetteur. <p>2. Ré-étalonnez la plage d'accélération ou ajustez avec précision la position neutre sur l'émetteur.</p>
Lorsque vous appuyez sur le bouton SET (Configurer) pour régler la position neutre de l'accélérateur, la DEL verte ne clignote pas et aucun bip n'est émis, ou vous n'avez pas pu définir le point de terminaison à plein régime et le point de terminaison de freinage maximal après l'acceptation de la position neutre.	1. Le câble de l'accélérateur du variateur ESC n'était pas branché dans le bon canal sur le récepteur. <p>2. Le câble de l'accélérateur du variateur ESC était branché à l'envers. <p>3. La plage d'accélération définie sur votre variateur ESC est différente de celle définie par votre émetteur.</p></p>	1. Branchez le câble de l'accélérateur dans le canal des gaz du récepteur. <p>2. Reportez-vous au manuel de votre récepteur pour vérifier le bon raccordement. <p>3. Ré-étalonnez votre émetteur sur le variateur ESC.</p></p>

Garantie Limitée

Durée de la garantie

Garantie exclusive - Horizon Hobby, LLC (Horizon) garantit que le Produit acheté (le « Produit ») sera exempt de défauts matériels et de fabrication à sa date d'achat par l'Acheteur. La durée de garantie correspond aux dispositions légales du pays dans lequel le produit a été acquis. La durée de garantie est de 6 mois et la durée d'obligation de garantie de 18 mois à l'expiration de la période de garantie.

Limitations de la garantie

(a) La garantie est donnée à l'acheteur initial (« Acheteur ») et n'est pas transférable. Le recours de l'acheteur consiste en la réparation ou en l'échange dans le cadre de cette garantie. La garantie s'applique uniquement aux produits achetés chez un revendeur Horizon agréé. Les ventes faites à des tiers ne sont pas couvertes par cette garantie. Les revendications en garantie seront acceptées sur fourniture d'une preuve d'achat valide uniquement. Horizon se réserve le droit de modifier les dispositions de la présente garantie sans avis préalable et révoque alors les dispositions de garantie existantes.

(b) Horizon n'endosse aucune garantie quant à la vendabilité du produit ou aux capacités et à la forme physique de l'utilisateur pour une utilisation donnée du produit. Il est de la seule responsabilité de l'acheteur de vérifier si le produit correspond à ses capacités et à l'utilisation prévue.

(c) Recours de l'acheteur – Il est de la seule discrétion d'Horizon de déterminer si un produit présentant un cas de garantie sera réparé ou échangé. Ce sont là les recours exclusifs de l'acheteur lorsqu'un défaut est constaté.

Horizon se réserve la possibilité de vérifier tous les éléments utilisés et susceptibles d'être intégrés dans le cas de garantie. La décision de réparer ou de remplacer le produit est du seul ressort d'Horizon. La garantie exclut les défauts esthétiques ou les défauts provoqués par des cas de force majeure, une manipulation incorrecte du produit, une utilisation incorrecte ou commerciale de ce dernier ou encore des modifications de quelque nature qu'elles soient. La garantie ne couvre pas les dégâts résultant d'un montage ou d'une manipulation erronés, d'accidents ou encore du fonctionnement ainsi que des tentatives d'entretien ou de réparation non effectuées par Horizon. Les retours effectués par le fait de l'acheteur directement à Horizon ou à l'une de ses représentations nationales requièrent une confirmation écrite.

Limitation des dommages

Horizon ne saurait être tenu pour responsable de dommages consécutifs directs ou indirects, de pertes de revenus ou de pertes commerciales, liés de quelque manière que ce soit au produit et ce, indépendamment du fait qu'un recours puisse être formulé en relation avec un contrat, la garantie ou l'obligation de garantie. Par ailleurs, Horizon n'acceptera pas de recours issus d'un cas de garantie lorsque ces recours dépassent la valeur unitaire du produit. Horizon n'exerce aucune influence sur le montage, l'utilisation ou la maintenance du produit ou sur d'éventuelles combinaisons de produits choisies par l'acheteur. Horizon ne prend en compte aucune garantie et n'accepte aucun recours pour les blessures ou les dommages pouvant en résulter. Horizon Hobby ne saurait être tenu responsable d'une utilisation ne respectant pas les lois, les règles ou réglementations en vigueur.

En utilisant et en montant le produit, l'acheteur accepte sans restriction ni réserve toutes les dispositions relatives à la garantie figurant dans le présent document. Si vous

n'êtes pas prêt, en tant qu'acheteur, à accepter ces dispositions en relation avec l'utilisation du produit, nous vous demandons de restituer au vendeur le produit complet, non utilisé et dans son emballage d'origine.

ATTENTION: Nous n'effectuons de réparations payantes que pour les composants électroniques et les moteurs. Les réparations touchant à la mécanique, en particulier celles des hélicoptères et des voitures radiocommandées, sont extrêmement coûteuses et doivent par conséquent être effectuées par l'acheteur lui-même.

AVVISO
Tutte le istruzioni, le garanzie e gli altri documenti pertinenti sono soggetti a cambiamenti a totale discrezione di Horizon Hobby, LLC. Per una documentazione aggiornata sul prodotto, visitare il sito horizonhobby.com o towerhobbies.com e fare clic sulla sezione Support del prodotto.

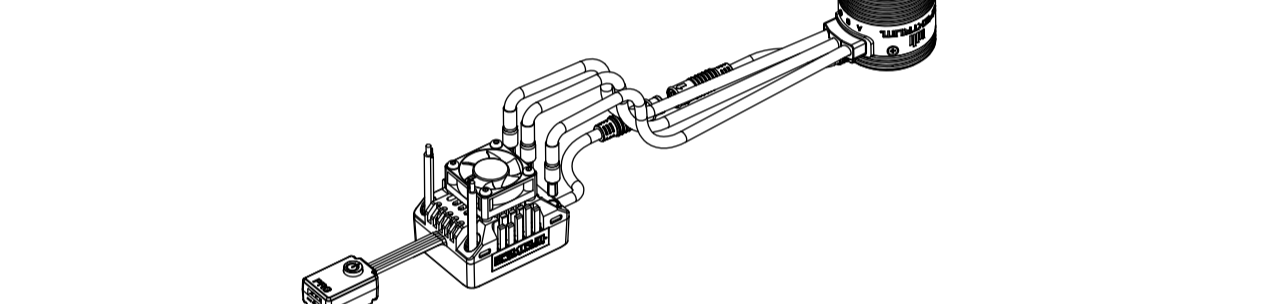
Significato di termini specialistici
Nella documentazione relativa al prodotto vengono utilizzati i seguenti termini per indicare i vari livelli di pericolo potenziale durante l'uso del prodotto: AVVERTENZA: indica procedure che, se non debitamente seguite, determinano il rischio di danni alle cose, danni collaterali e gravi lesioni alle persone o il rischio elevato di lesioni superficiali alle persone. ATTENZIONE: indica procedure che, se non debitamente seguite, determinano il rischio di danni alle cose E di gravi lesioni alle persone. AVVISO: indica procedure che, se non debitamente seguite, possono determinare il rischio di danni alle cose E il rischio minimo o nullo di lesioni alle persone.

⚠ AVVERTENZA: leggere TUTTO il manuale di istruzioni e familiarizzare con le caratteristiche del prodotto prima di farlo funzionare. Un uso improprio del prodotto può causare danni al prodotto stesso e alle altre cose e gravi lesioni alle persone. Questo aeromodello è un prodotto sofisticato per appassionati di modellismo. Deve essere azionato in maniera attenta e responsabile e richiede alcune conoscenze basilari di meccanica. L'uso improprio o irresponsabile di questo prodotto può causare lesioni alle persone e danni al prodotto stesso o alle altre cose. Questo prodotto non deve essere utilizzato dai bambini senza la diretta supervisione di un adulto. Non tentare in nessun caso di smontare il prodotto, di utilizzarlo con componenti non compatibili o di potenziarlo senza previa approvazione di Horizon Hobby, LLC. Questo manuale contiene le istruzioni per la sicurezza, l'uso e la manutenzione del prodotto. È fondamentale leggere e seguire tutte le istruzioni e le avvertenze del manuale prima di montare, impostare o utilizzare il prodotto, al fine di utilizzarlo correttamente e di evitare di causare danni alle cose o gravi lesioni alle persone.

Almeno 14 anni. Non è un giocattolo.

AVVISO: Questo prodotto è rivolto esclusivamente a veicoli ed aerei di tipo hobbistico senza pilota a bordo e controllati a distanza. Al di fuori di questo utilizzo, Horizon Hobby declina ogni responsabilità e non riconosce interventi in garanzia.

Specifiche ESC SPMXSE1060	Specifiche motore SPMXSM3001		
Corrente cont./di picco	60 A/360 A	Categoria motore	3658
Tipo di motore	Solo motori Spektrum senza sensori	RPM/Volt	2100 Kv
Utilizzo	Rock Crawler Scala 1:10	Tipo ESC	Solo ESC Spektrum senza sensori
Celle LiPo/NiMH	2-3S LiPo, 6-9S NiMH	Utilizzo	Rock Crawler Scala 1:10
Uscita BEC	6 V/7,4 V commutabile, corrente continua di 3A (modalità di commutazione)	Celle LiPo/NiMH	2-3S LiPo, 6-9S NiMH
Connettori motore	4 mm a banana	Connettori motore	4 mm a banana
Dimensioni	47,4 x 36,2 x 24,6 mm	Dimensioni	36 x 26 x 57,8 mm
Peso	82 g	Albero uscita motore	3,175 diametro x 16 mm
Motori compatibili	SPMXSM3000, SPMXSM3001, SPMXSM3002.	Peso	238 g
Programmazione	Richiede Programmer Box SPMXCA200	Poli motore	4



Rapporto di trasmissione

Una combinazione impropria tra pignone e corona provoca un accumulo eccessivo di calore nel motore e nel regolatore di velocità. Consultare il manuale del kit del veicolo per le dimensioni dei pignone consigliate dal fabbricante. È consigliabile monitorare le temperature di lavoro del sistema quando si corre su un circuito nuovo o diverso o su superfici da gara. La temperatura di lavoro del sistema non deve mai superare i 71° C. Il luogo migliore dove monitorare la tempera-

tura del sistema è al centro della campana finale. Se la temperatura supera i 71° C dopo una corsa di 5 minuti, il rapporto degli ingranaggi deve essere ridotto (passare a un pignone più piccolo).

⚠ ATTENZIONE: tenersi sempre lontani dall'albero in rotante e dal pignone se la batteria è collegata. In caso contrario, si corre il rischio di lesioni personali.

Installazione del sistema

Assicurarsi sempre che le viti di montaggio siano lunghe abbastanza da fissare il motore in sede. Assicurarsi però anche che le viti non siano troppo lunghe da penetrare eccessivamente nel motore, danneggiandolo.

La profondità massima delle viti di montaggio nel motore è di circa 5 mm. Consigliamo di utilizzare la viteria fornita con il veicolo. L'utilizzo di viti troppo lunghe provocherà danni al sistema e invaliderà la garanzia.

Quando si monta il motore sul veicolo, è molto importante assicurare che l'ingranamento sia corretto e il movimento degli ingranaggi fluido e non forzato. Il supporto del motore sul veicolo in genere offre dei fori di montaggio scanalati regolabili da utilizzare per la regolazione dell'ingranamento.

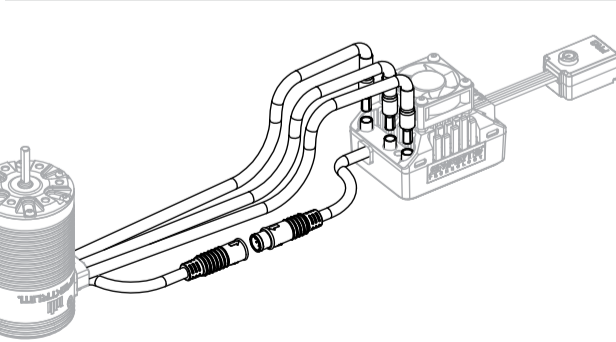
Collegamento di ESC e motore

1. L'ESC Firma 60 A brushless con sensori supporta solo i motori Spektrum brushless senza sensori. Questo ESC non può essere accoppiato a nessun altro tipo di motore. Questi motori Spektrum non possono essere usati con altri tipi di ESC.

2. L'ordine di collegamento dei cavi tra ESC e motore è rigido e non può essere modificato. I tre collegamenti A/B/C del regolatore ESC devono essere collegati ai tre corrispondenti fili A/B/C del motore. Collegare il morsetto A dell'ESC al morsetto A del motore; collega- re il morsetto B dell'ESC al morsetto B del motore; e collegare il morsetto C dell'ESC al morsetto C del motore. Diversamente dagli ESC e dai motori senza sensori, con gli ESC e i motori con sensori non è possibile cambiare l'ordine dei collegamenti. Non cambiare mai l'ordine dei cavi dei motori per evitare danni.

3. Collegare il cavo del sensore ESC al cavo del sensore del motore.

AVVISO: scollegare sempre la batteria dal sistema prima di riporre il modello dopo l'uso. L'interruttore del sistema controlla solamente l'alimentazione del ricevitore e del servo. Se connesso alla batteria, il sistema continua ad assorbire corrente, con rischio di danni alla batteria dovuti a scaricamento eccessivo.



Segnale del gas

Smart Throttle:

L'ESC Spektrum Firma™ è compatibile con la funzione Smart Throttle. Smart Throttle combina i segnali del gas e i dati telemetrici inviati dall'ESC su un normale connettore per servo a tre fili. I ricevitori compatibili Smart Throttle rilevano la presenza di un ESC Smart Throttle e automaticamente iniziano a inviare i segnali di telemetria alla trasmittente.

Tramite la linea Smart Throttle, l'ESC può inviare i valori di tensione, corrente e altri dati telemetrici. Può inoltre trasmettere la telemetria generata dalle batterie Smart Spektrum compatibili. Per ottenere i dati della batteria è necessario che questa sia una batteria Spektrum Smart con connettore IC3™ o IC5™ i connettori EC3™ sono compatibili per le operazioni di base, ma non forniscono i dati telemetrici della batteria.

Solo determinati ricevitori telemetrici Spektrum includono la funzione Smart Throttle; fare riferimento al manuale del ricevitore per maggiori informazioni. Se l'ESC non è collegato a un ricevitore compatibile Smart Throttle, la telemetria dell'ESC non sarà disponibile, ma l'ESC funzionerà normalmente con un segnale servo normale (PWM).

Segnale servo normale (PWM):

Gli ESC Firma sono pienamente compatibili con i ricevitori RC comuni e usano un segnale PWM convenzionale per le operazioni base.

AVVISO: non collegare batterie dedicate per il ricevitore al ricevitore insieme con l'ESC. Quando l'ESC è acceso, questo fornisce al ricevitore alimentazione regolata a 6 V dalla batteria principale attraverso la linea del gas. L'ESC può subire danni se il ricevitore è connesso a una propria batteria dedicata.

Calibrazione ESC

Per poter associare l'ESC al campo di escursione dell'acceleratore, ogni nuovo ESC deve essere calibrato prima di poterlo utilizzare. Se si installa un nuovo radiando o si apportano modifiche ai valori di gas/freno nella trasmittente, è necessario ripetere la procedura di calibrazione dell'ESC. Se non viene calibrato per adeguarlo al radiando, l'ESC non funzionerà correttamente. Impostare il falsafse sulla radio in posizione neutra per garantire l'arresto del motore in caso di perdita del segnale.

- Accendere la trasmittente e iniziare con valori del gas al 100% per Dual Rate e corsa e in posizione neutra per trim e subtrim. Verificare che le funzioni di frenata ABS non siano attive prima di procedere con la calibrazione. Per le trasmittenti senza schermo LCD, girare la manopola D/R all'impostazione massima e centrare il trim del gas.
- Collegare la batteria all'ESC.
- Tenere premuto il tasto di accensione. Il LED rosso sull'ESC inizia a lampeggiare e il motore fa bip, rilasciare il pulsante di accensione (l'ESC entra in modalità di programmazione se il tasto SET non viene rilasciato entro 8 secondi)
- Con il grilletto del gas e il trim in posizione neutra, premere e rilasciare il pulsante di accensione. Il LED verde lampeggia una volta e il motore emette un tono sonoro.
- Premere completamente il grilletto del gas e premere e rilasciare il pulsante di accensione. Il LED verde lampeggia due volte e il motore emette due toni sonori.
- Spingere il grilletto del gas a indietro tutta e premere e rilasciare il tasto SET. Il LED verde lampeggia tre volte e il motore emette tre toni sonori.
- Completata la calibrazione, il motore funzionerà normalmente.

Utilizzo

- Accendere la trasmittente.
- Collegare la batteria all'ESC.
- Premere e rilasciare il tasto ON/OFF per accendere il veicolo
- Alla fine della sessione di corsa, premere e rilasciare il tasto ON/OFF per spegnere il veicolo, oppure scollegare la batteria.

IMPORTANTE: scollegare sempre la batteria una volta finita la sessione di corsa. Se si lascia la batteria collegata per un periodo di tempo prolungato, questa si scarica lentamente fino a zero volt, subendo danni permanenti.

Opzioni di programmazione

No.	Elementi	Opzione 1	Opzione 2	Opzione 3	Opzione 4	Opzione 5	Opzione 6	Opzione 7	Opzione 8	Opzione 9	Opzione 10
1	Tensione di taglio	Disattivato	3,0 V/ Cella	3,2 V/Cella	3,4 V/ Cella						
2	Potenza max in avanti	25%	37,5%	50%	62,5%	75%	87,5%	100%			
3	Potenza max in retromarcia	25%	37,5	50%	62,5%	75%	87,5%	100%			
4	Anticipo turbo	0° – 10° regolabile in incrementi di 1° (0° default)									
5	Ritardo turbo	Istantaneo	0,1 s	0,2 s	0,3 s	0,4 s	0,5 s				
6	Potenza del freno motore	50% – 200% regolabile in incrementi del 5% (default: 80%)									
7	Ritardo freno motore	Livello 1	Livello 2	Livello 3	Livello 4	Livello 5	Livello 6	Livello 7	Livello 8	Livello 9	Auto
8	Campo neutro	6% – 17% regolabile in incrementi dell'1% (default: 10%)									
9	Risposta all'accelerazione (Punch)	Livello 1	Livello 2	Livello 3	Livello 4	Livello 5	Livello 6	Livello 7	Livello 8	Livello 9	
10	Tensione BEC	6,0V	7,4V								
11	Rotazione del motore	Oraria	Antioraria								

1. Tensione di taglio

Protezione da bassa tensione (LVC) per le batterie LiPo. Questa funzione è finalizzata soprattutto a evitare danni da sovrascarica alle batterie LiPo. Se la protezione LVC è attiva, l'ESC riduce la potenza al 50% e dopo 10 secondi la taglia quando la tensione scende sotto la soglia di taglio. Il LED rosso inizia a lampeggiare quando l'ESC entra in protezione LVC.

Se la funzione LVC è disattivata, l'ESC non taglia la potenza quando la tensione è bassa. Si sconsiglia di impostare la protezione LVC su “Disattivato” se si usa una batteria L-Po, perché senza la funzione LVC la batteria LiPo rischia di subire danni in caso di sovrascarica.

• **NiMH** - Per una batteria NiMH, si consiglia di disabilitare la funzione impostandola su “Disattivato”.

• **Tensione di interruzione** - l'ESC imposta la tensione di taglio per la batteria in base alla tensione della batteria rilevata quando la batteria viene collegata.

2. Potenza max in avanti

È la potenza applicata al motore quando il grilletto del gas è in posizione di piena accelerazione. È possibile ridurre il valore per ottenere un miglior controllo o per “sentire” meglio il veicolo quando si pilota un crawler su terreno difficile.

3. Potenza max in retromarcia

È la potenza applicata al motore quando il grilletto del gas è in posizione di piena retromarcia. In genere un valore basso è adatto alla maggior parte dei piloti.

4. Anticipo turbo

Questo parametro è regolabile tra 0 e 10° e il valore selezionato è quello che sarà applicato alla piena accelerazione. Di solito si attiva sui rettilinei lunghi per consentire al motore di sprigionare tutto il suo potenziale. L'anticipo del turbo aggiunge un margine di potenza alla piena accelerazione.

5. Ritardo turbo

Quando è impostato su “Istantaneo”, l'anticipo del turbo viene attivato immediatamente non appena il grilletto del gas viene spinto a piena accelerazione. I valori del ritardo turbo ritardano l'applicazione del valore di anticipo turbo selezionato.

6. Potenza del freno motore

È la forza frenante esercita quando il grilletto del gas è in posizione neutra. Valori di freno motore maggiori sono utilizzati per fornire una frenata in posizione più ferma o per migliorare la frenata in discesa.

IMPORTANTE: il freno motore consuma più potenza e produce più calore; iniziare applicando valori bassi e usare con cautela. Migliorare la ventilazione dell'ESC se il calore è eccessivo.

7. Ritardo freno motore

Questa funzione gestisce quanto rapidamente l'ESC applica il freno motore. Il rapporto di forza frenante è configurabile da 1 (molto dolce) a 9 (molto aggressivo); i valori inferiori applicano il freno in maniera più graduale ed evitano arresti improvvisi o frenate a scatto.

Nella modalità Auto, l'ESC regola automaticamente il ritardo del freno motore in base alla velocità rilevata e può essere di aiuto nel prevenire il ribaltamento del veicolo o danni alla trasmissione causati da brusche frenate, oltre a fornire una maggiore sensibilità sulla frenata a bassa velocità.

- Più alta è la velocità rilevata, minore il ritardo del freno motore.
- Più bassa è la velocità rilevata, maggiore il ritardo del freno motore.

8. Campo neutro

Regolare questo parametro secondo le proprie preferenze per tenere conto della zona morta nella risposta del gas. Se si notano comportamenti del freno motore non coerenti, aumentare il valore del campo neutro.

9. Risposta all'accelerazione (Punch)

Il parametro può essere impostato tra 1 (molto dolce) a 9 (molto aggressivo). Questa funzione è molto utile per prevenire lo slittamento a vuoto delle ruote. I livelli da 7 in su richiedono batterie con capacità di scarica rapida. Se il veicolo singhiozza o perde improvvisamente potenza durante l'accelerazione, la batteria potrebbe non avere capacità di scarica adeguate per l'applicazione. Ridurre il valore di punch, le dimensioni degli ingranaggi o passare a una batteria con un C superiore.

10. Tensione BEC

- Opzione 1: 6,0 V adeguata per la maggior parte dei servo standard. Non consigliata per i servo HV (alta tensione).

- Opzione 2: 7,4V adeguata per i servo ad alta tensione. Non utilizzare quest'opzione con i servo standard; è possibile che servo standard da 5-6 V possano subire danni da questa impostazione di tensione.

Accoppiamento automatico motore

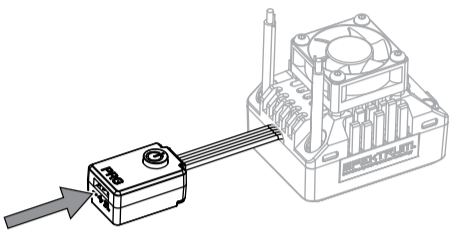
In caso di passaggio ad altro motore Kv oppure di motore che ha subito un forte impatto o che durante il funzionamento è stato sottoposto a riscaldamento o erogazione di potenza anomali, è necessario procedere come segue per l'accoppiamento automatico del motore.

- Scollegare il cavo del gas dal ricevitore e rimuovere il pignone del motore.
- Collegare la batteria e premere e tenere premuto il tasto di accensione. L'interruttore dell'ESC lampeggerà in rosso, seguito da un breve doppio flash che si ripete dopo circa 8 secondi, dopo il quale è possibile rilasciare il pulsante di accensione.
- Entrerà nella procedura di accoppiamento automatico del motore e il motore si metterà in modo automaticamente (e contemporaneamente la luce verde all'interno dell'ESC lampeggerà).
- Quando il motore si arresta, il LED verde si accende.
- Completato l'accoppiamento automatico del motore, l'ESC esegue un test automatico (toni di accensione). Ricollegare il cavo del gas e riavviare/riaccendere l'ESC per operare normalmente.

IMPORTANTE: rimuovere il pignone del motore prima di eseguire l'accoppiamento automatico del motore; la presenza del pignone ne impedirà il corretto svolgimento.

Programmazione con Programmer Box SPMXCA200 Smart

- Scollegare la ventola e collegare il cavo di programmazione alla porta della ventola.
- Collegare la batteria all'ESC.
- Accendere il Box e selezionare il parametro con il tasto SELECT (Selezione).
- Cambiare i valori del parametro selezionato con il tasto EDIT (Modifica).
- Premere il tasto SAVE (Salva) per salvare le modifiche. L'ESC va spento e riacceso affinché le modifiche salvate siano applicate.



Reset di fabbrica

È possibile ripristinare i valori di fabbrica, se necessario.

- Dopo aver collegato l'ESC al box di programmazione, premere il tasto “RESET” e poi “SAVE” per salvare; le impostazioni di fabbrica possono essere ripristinate. Dopo aver eseguito un reset di fabbrica, prima di poter utilizzare il veicolo è necessario ripetere la procedura di calibrazione.

LED di stato

1. Durante la procedura di accensione;

- Il LED rosso continua a lampeggiare rapidamente indicando che l'ESC non sta rilevando il segnale del gas, oppure che il valore neutro del gas memorizzato nell'ESC è diverso da quello nella trasmittente. Ripetere la calibrazione dell'ESC se l'ESC lampeggia e non funziona.

- Il LED verde lampeggia alcune volte, indicando il numero di celle LiPo della batteria collegata.

2. Durante il funzionamento: le luci che dovrebbero vedersi.

- I LED rosso e verde si spengono quando il grilletto del gas è nella sua zona neutra.
- Il LED rosso si accende quando il veicolo si muove in avanti. Il LED verde si accende quando il grilletto viene premuto al punto di fine corsa di piena accelerazione (100%) e impostando la potenza max in avanti al 100%.

- Il LED rosso si accende quando si aziona il freno, il LED verde si accende quando si spinge il grilletto del gas al punto di fine corsa di piena frenata e impostando la potenza max in retromarcia al 100%.

- Il LED rosso si accende quando si aziona il freno, il LED verde si accende quando si spinge il grilletto del gas al punto di fine corsa di piena frenata e impostando la potenza max in retromarcia al 100%.
- Il LED rosso si accende quando si aziona il freno, il LED verde si accende quando si spinge il grilletto del gas al punto di fine corsa di piena frenata e impostando la potenza max in retromarcia al 100%.

3. Codici di errore o avvertenza

- Il LED rosso lampeggia un flash singolo breve e ripetuto, indicando che la protezione da bassa tensione è attiva.

- Il LED verde lampeggia un flash singolo breve e ripetuto, indicando che la protezione termica dell'ESC è attiva.

- Il LED verde lampeggia un doppio flash breve e ripetuto, indicando che la modalità di protezione termica è attiva.

- I LED rosso e rosso lampeggiano con un doppio flash breve e ripetuto, indicando l'arresto del sistema di alimentazione dovuto a un problema con il sensore. In questo caso, controllare prima di riprendere l'operazione se il filo del sensore dell'ESC è correttamente collegato al filo del sensore del motore.

Problema	Possibile causa	Possibile soluzione
L'ESC non si avvia e le spie di stato sono spente.	1. L'alimentazione non arriva all'ESC. <p>2. Interruttore dell'ESC danneggiato.</p>	1. Controllare tutte le connessioni di ESC e batteria e verificare lo stato della batteria. <p>2. Sostituire l'interruttore.</p>
L'ESC non ha potuto avviare il motore, emettendo un tono ripetuto continuo con un secondo di intervallo a il LED verde dell'ESC ha lampeggiato.	La tensione della batteria è oltre il suo campo normale.	Controllare se la tensione della batteria è all'interno del range specificato.
Dopo che l'ESC si è accesa e ha completato il rilevamento della batteria LiPo, il LED verde ha lampeggiato X volte e poi il LED rosso ha lampeggiato.	1. L'ESC non ha rilevato il segnale del gas. <p>2. Il valore neutro del gas memorizzato nell'ESC è diverso da quello memorizzato nella trasmittente.</p>	1. Controllare che il filo del gas non sia inserito nel canale della retromarcia o altro canale errato e verificare che le batterie della trasmittente siano cariche e che la trasmittente sia acesa. <p>2. Ricallibrare il campo del gas dopo aver rilasciato il grilletto del gas in posizione neutra.</p>
Il veicolo procede all'indietro quando il grilletto del gas viene spinto in avanti.	La direzione di default del motore non corrisponde con il telaio.	Invertire il motore usando il Programmer Box SPMXCA200
Il motore si arresta all'improvviso oppure riduce sensibilmente la sua potenza.	1. Il ricevitore del radiocomando è disturbato da interferenze radio. <p>2. L'ESC è entrato in protezione LVC.</p> <p>3. L'ESC è entrato in protezione termica ESC.</p>	1. Vedere il manuale della trasmittente per maggiori informazioni sulla risoluzione dei problemi del collegamento radio. <p>2. Se il LED rosso continua a lampeggiare indicando che la protezione LVC è attiva, sostituire la batteria.</p> <p>3. Il LED verde continua a lampeggiare indicando che la protezione termica dell'ESC è attiva. Lasciare che l'ESC si raffreddi completamente.</p>
Il veicolo non si mette in funzione e i LED verde e rosso lampeggiano con un doppio flash breve e ripetuto.	1. Problema con la connessione del filo del sensore. <p>2. Danni all'ESC ai fili.</p>	1. Controllare che l'ESC e i fili del sensore del motore non siano danneggiati, ricollegarli e riavviare l'ESC. <p>2. Contattare il centro di assistenza Horizon Hobby</p>
La risposta del gas è pessima in prossimità del punto neutro e il veicolo tende ad avanzare lentamente.	1. Potenzziometro usurato sul meccanismo del comando del gas della trasmittente. <p>2. Calibrazione ESC eseguita in modo non corretto.</p>	1. Riparare o sostituire la trasmittente. <p>2. Ricallibrare il range del gas o mettere a punto la posizione neutra della trasmittente.</p>
Premendo il tasto SET per impostare la posizione neutra del gas, il LED verde non lampeggia e nessun suono viene emesso, oppure non è stato possibile impostare il fine corsa di piena accelerazione e il fine corsa di piena frenata dopo aver accettato la posizione neutra.	1. Il cavo del gas dell'ESC non è stato inserito nel canale corretto sul ricevitore. <p>2. Il cavo del gas dell'ESC è stato inserito nel canale della retromarcia.</p> <p>3. Il range del gas impostato sull'ESC differisce da quello impostato sulla trasmittente.</p>	1. Inserire il cavo del gas nel canale del motore (TH) del ricevitore. <p>2. Fare riferimento al manuale del ricevitore per verificare il corretto collegamento.</p> <p>3. Ricallibrare la trasmittente all'ESC.</p>

Garanzia

Periodo di garanzia

Garanzia esclusiva - Horizon Hobby, LLC (Horizon) garantisce che il prodotto acquistato (il “Prodotto”) sarà privo di difetti relativi ai materiali e di eventuali errori di montaggio alla data di acquisto. Il periodo di garanzia è conforme alle disposizioni legali del paese nel quale il prodotto è stato acquistato. Tale periodo di garanzia ammonta a 6 mesi e si estende ad altri 18 mesi dopo tale termine.

Limiti della garanzia

(a) La garanzia è limitata all'acquirente originale (Acquirente) e non è cedibile a terzi. L'acquirente ha il diritto a far riparare o a far sostituire la merce durante il periodo di questa garanzia. La garanzia copre solo quei prodotti acquistati presso un rivenditore autorizzato Horizon. Altre transazioni di terze parti non sono coperte da questa garanzia. La prova di acquisto è necessaria per far valere il diritto di garanzia. Inoltre, Horizon si riserva il diritto di cambiare o modificare i termini di questa garanzia senza alcun preavviso e di escludere tutte le altre garanzie già esistenti.

(b) Horizon non si assume alcuna garanzia per la disponibilità del prodotto, per l'adeguatezza o l'idoneità del prodotto a particolari previsti dall'utente. È sola responsabilità dell'acquirente il fatto di verificare se il prodotto è adatto agli scopi da lui previsti.

(c) Richiesta dell'acquirente – spetta soltanto a Horizon, a propria discrezione riparare o sostituire qualsiasi prodotto considerato difettoso e che rientra nei termini di garanzia. Queste sono le uniche rivalse a cui l'acquirente si può appellare, se un prodotto è difettoso. Horizon si riserva il diritto di controllare qualsiasi componente utilizzato che viene coinvolto nella rivalsa di garanzia. Le decisioni relative alla sostituzione o alla riparazione sono a discrezione di Horizon. Questa garanzia non copre dei danni superficiali o danni per cause di forza maggiore, uso errato del prodotto, un utilizzo che viola qualsiasi legge, regolamentazione o disposizione applicabile, negligenza, uso ai fini commerciali, o una qualsiasi modifica a qualsiasi parte del prodotto.

Questa garanzia non copre danni dovuti ad un'installazione errata, ad un funzionamento errato, ad una manutenzione o un tentativo di riparazione non idoneo a cura di soggetti diversi da Horizon. La restituzione del prodotto a cura dell'acquirente, o da un suo rappresentante, deve essere approvata per iscritto dalla Horizon.

Limiti di danno

Horizon non si riterrà responsabile per danni speciali, diretti, indiretti o consequenziali; perdita di profitto o di produzione; perdita commerciale connessa al prodotto, indipendentemente dal fatto che la richiesta si basa su un contratto o sulla garanzia. Inoltre la responsabilità di Horizon non supera mai in nessun caso il prezzo di acquisto del prodotto per il quale si chiede la responsabilità.

Horizon non ha alcun controllo sul montaggio, sull'utilizzo o sulla manutenzione del prodotto o di combinazioni di vari prodotti. Quindi Horizon non accetta nessuna responsabilità per danni o lesioni derivanti da tali circostanze. Con l'utilizzo e il montaggio del prodotto l'utente acconsente a tutte le condizioni, limitazioni e riserve di garanzia citate in questa sede.

Qualora l'utente non fosse pronto ad assumersi tale responsabilità associata all'uso del prodotto, si suggerisce di restituire il prodotto intatto, mai usato e immediatamente presso il venditore.

ATTENZIONE: Le riparazioni a pagamento sono disponibili solo sull'elettronica e sui motori. Le riparazioni a livello meccanico, soprattutto per gli elicotteri e le vetture RC, sono molto costose e devono essere effettuate autonomamente dall'acquirente.

Garanzia e Assistenza - Informazioni per i contatti

Paese di acquisto	Horizon Hobby	Contatti	Indirizzo
Unione Europea	Horizon Technischer Service Sales: Horizon Hobby GmbH	service@horizonhobby.de +49 (0) 4121 2655 100	Hanskampring 9 D 22885 Barsbüttel Germany

Informazioni sulla conformità per l'Unione Europea

CE Dichiarazione di conformità UE: **Sensored 1/10th Scale Crawler Smart Power System (SPMXSEMCO8)**; Con la presente, Horizon Hobby, LLC dichiara che il dispositivo è conforme a quanto segue: Direttiva europea sulla compatibilità elettromagnetica (EMC) 2014/30/UE; Direttiva RoHS 2 2011/6